

## Vernis Shape

### Single lever basin mixer 190 with isolated water conduction and pop-up waste set

Surfaces: **Chrome** Article Number: **71562000**



#### Description

##### product features

- consists of: single lever basin mixer, waste set
- ComfortZone 190
- projection: 181 mm
- spout height: 190 mm
- spray type: normal spray
- swiveling spray former
- maximum flow rate at 3 bar: 5 l/min
- ceramic cartridge
- temperature limitation adjustable
- with isolated water conduction - without contact with nickel and lead
- suitable for continuous flow water heaters
- pop-up waste set G 1¼
- material waste set: synthetic
- connection type: G ¾ connections
- connection dimension: DN15

#### Technology



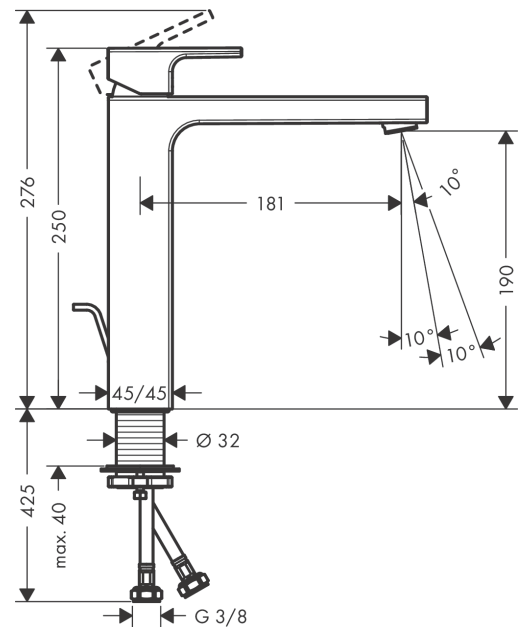
#### Certificates



#### Product image



#### Scale drawing



**Vernis Shape**

**Single lever basin mixer 190 with isolated water conduction and pop-up waste set**

Surfaces: **Chrome** Article Number: **71562000**



**Flowchart**



**Vernis Shape**

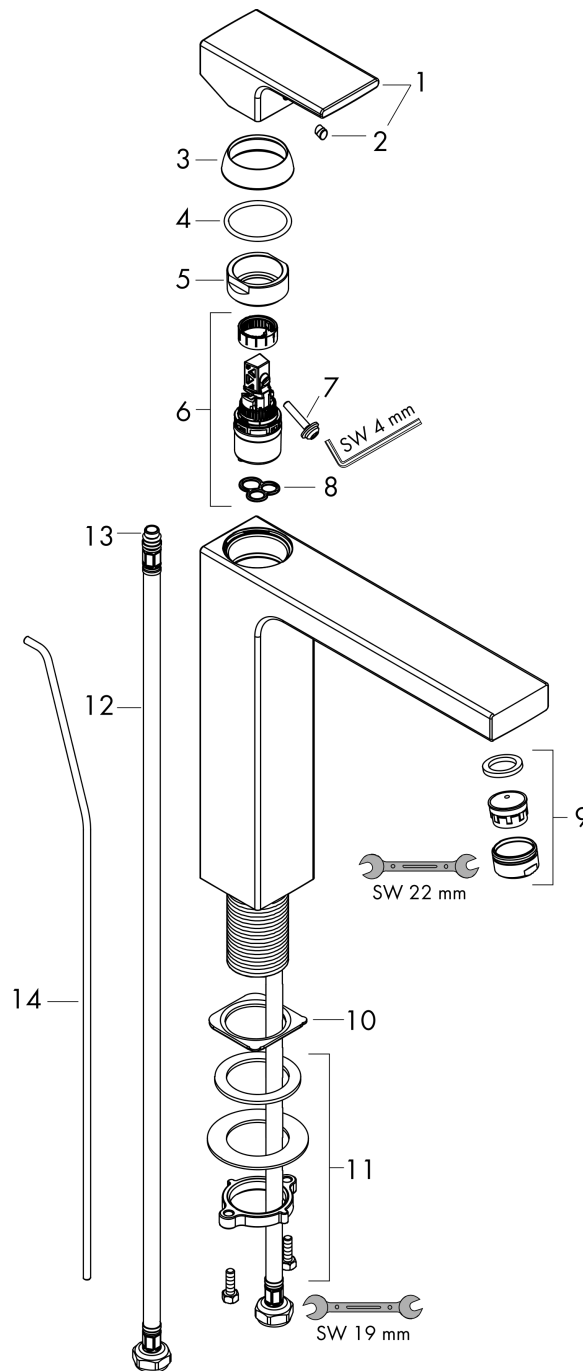
**Single lever basin mixer 190 with isolated water conduction and pop-up waste set**

Surfaces: **Chrome** Article Number: **71562000**



**Exploded Drawing**

Year of production: >07/21



## Vernis Shape

Single lever basin mixer 190 with isolated water conduction and pop-up waste set

Surfaces: **Chrome** Article Number: **71562000**



### Spare part list

Year of production: >07/21

Pos.	Description	Article Number	Price	PU
1	handle	93684000	€ 28,20	1
2	screw cover	96338000	€ 3,21	1
3	flange	93680000	€ 22,37	1
4	O-Ring 32x2	98193000	€ 3,21	1
5	nut	93686000	€ 22,37	1
6	cartridge, assy	97685000	€ 57,12	1
7	locking screw for handle	95140000	€ 5,24	1
8	seal	98865000	€ 28,20	1
9	aerator swivelling M24x1 (7 l/min)	94443000	-	1
10	seal	93687000	€ 3,21	1
11	fixing set (Ø 32)	13961000	€ 22,37	1
12	connection hose 600 mm M8x0,75 G3/8	96556000	€ 22,37	1
13	O-ring 6,6x1,6	93019000	€ 3,21	1
14	pull rod	93683000	€ 11,31	1
a	pop up waste	92168000	€ 35,94	1
b	fixation extension 35 mm	13898000	€ 70,57	1
c	lever arm 340mm (ball-Ø12mm)	96324000	€ 22,37	1